



GENUINE ACCESSORIES
INSTALLATION INSTRUCTIONS

PART NUMBER:
0000-8K-D11

CARGO NET

APPLICABLE MODELS:
2006 > MAZDA MX-5

PACKAGE CONTENTS

Cargo Net
Drilling Template
Installation Instructions

HARDWARE KIT (2 ANCHORS)
0000-8K-D05

TOOLS REQUIRED

Drill
Drill bit - 3/16"
5mm Drill Stop
Vacuum

1 Installing Hardware

1. Open lift gate.
2. Locate the two mounting location as indicated by the arrows. (Fig. 1)
3. On driver's side, position drilling template, align the edges and tape in place. (Fig. 2)

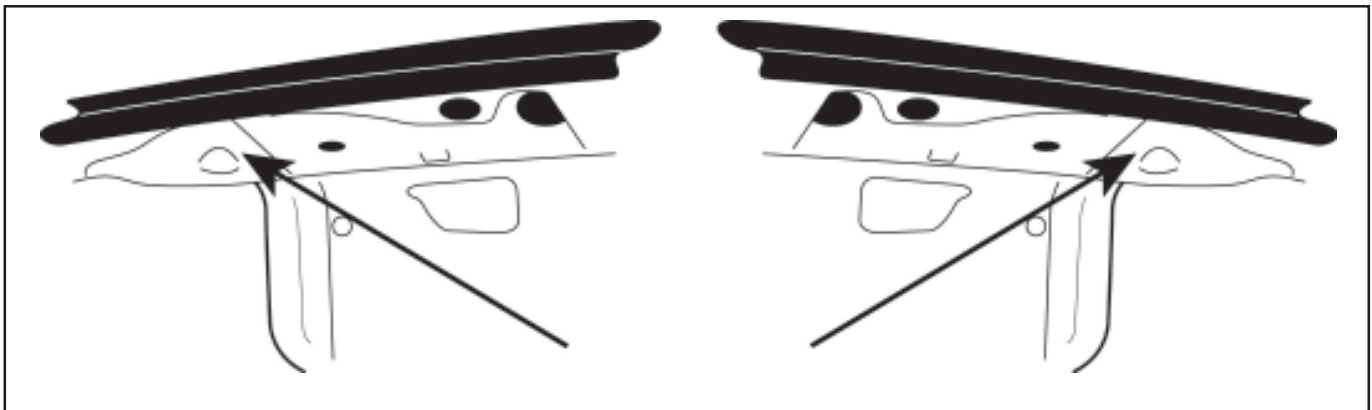


Fig. 1

2 Installing Hardware - (Cont.)

4. Using a punch, mark the location for drilling. Remove paper template, ensure the hole is punched through, flip over paper template and repeat on passenger side. (Fig. 3)

Note: Use a 5mm drill stop to prevent going through outside sheet metal.

5. Using a 3/16" drill bit, drill holes in both locations. (Fig. 4)

6. Vacuum metal shavings from the trunk floor.

7. Screw in T-anchors. Tighten snugly, but do not overtighten. (Fig. 5)

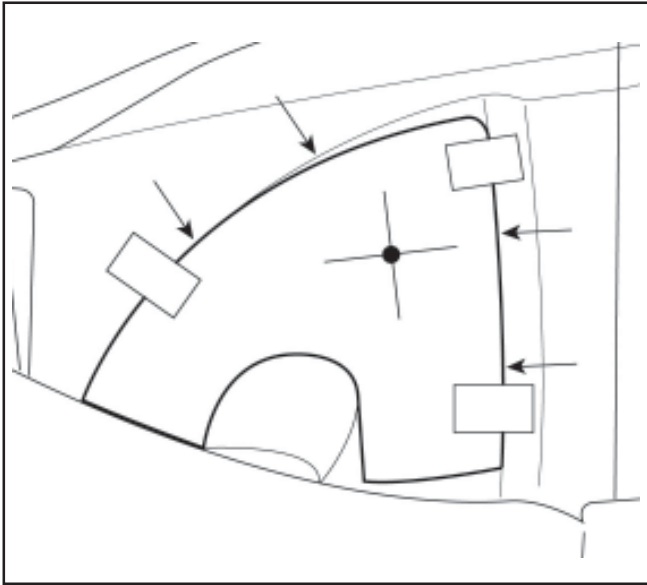


Fig. 2

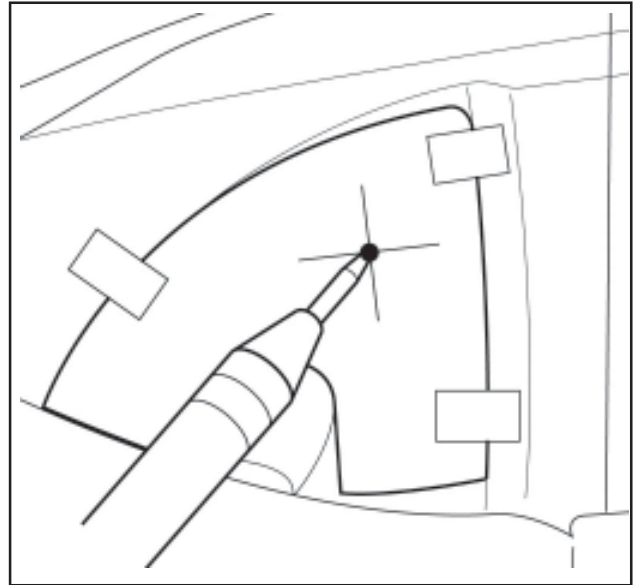


Fig. 3

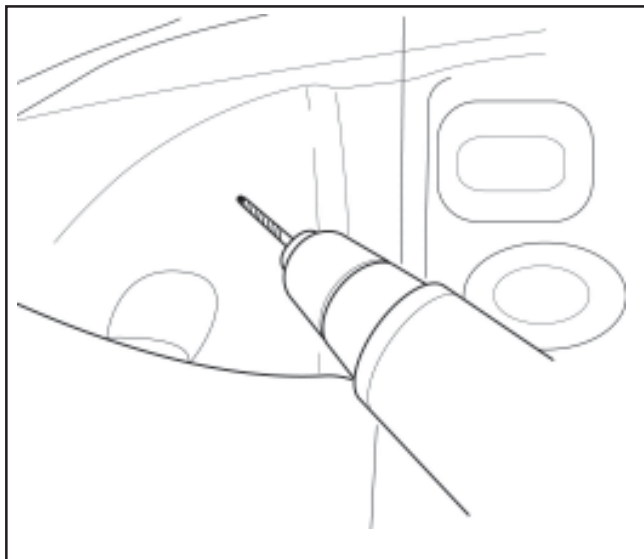


Fig. 4

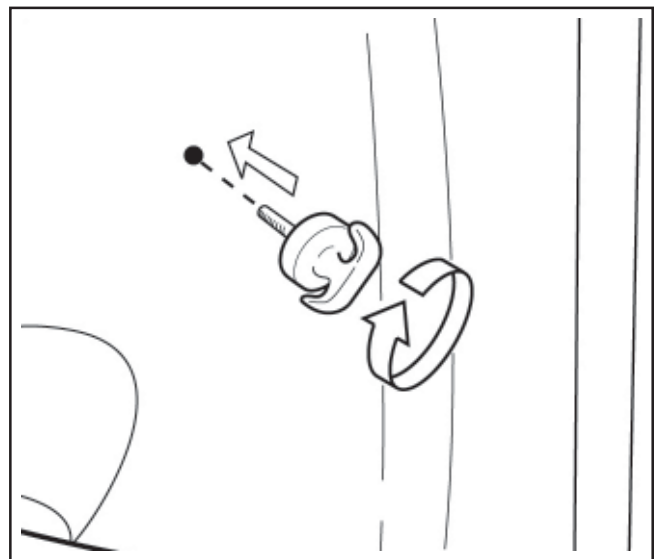


Fig. 5

2 Installing Hardware- (Cont.)

7. Make sure both T-anchors are orientated in the up-down position. (Fig. 6)

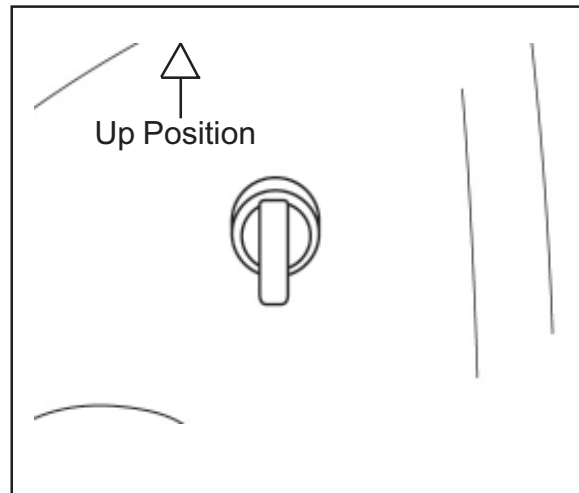


Fig. 6

3 Installing Net

1. Install cargo net over T-anchors, ensuring the pull tab in the middle of the net is facing rearward. (Fig. 7)
2. Confirm completed assembly. (Fig. 8)

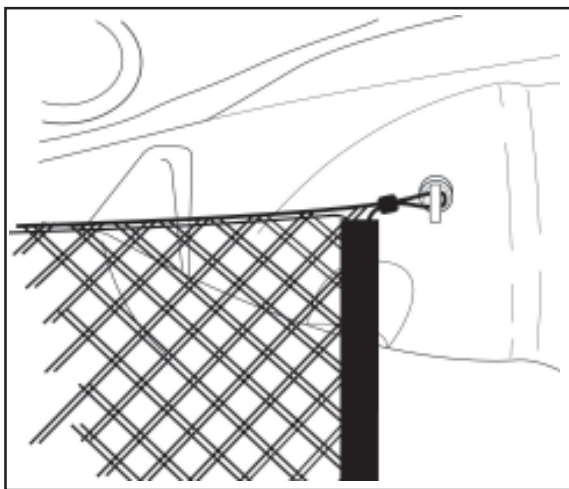


Fig. 7

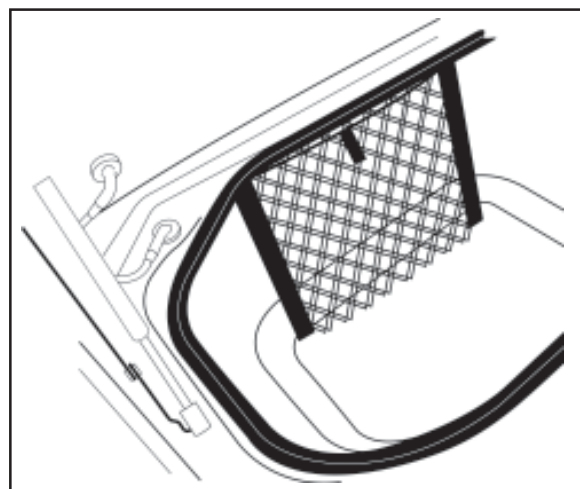
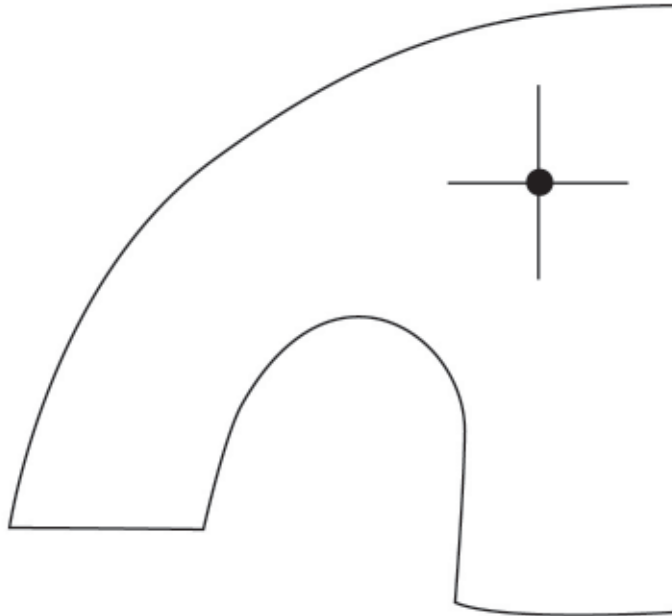
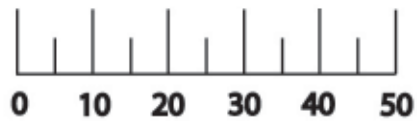


Fig. 8



Template - Driver Side Shown



Scale: mm

**Dealer Installation Note: Check above scale to ensure it is 1:1.
Adjust on photocopier if it is not to scale.**