

Subject: REAR BRAKE GROAN	Bulletin No: 04-004/08
	Last Issued: 3/14/2008

APPLICABLE MODEL(S)/VINS

2007-2008 CX-7

2007-2008 CX-9

DESCRIPTION

Some vehicles may exhibit a groan noise from the rear brakes when applying the brakes.

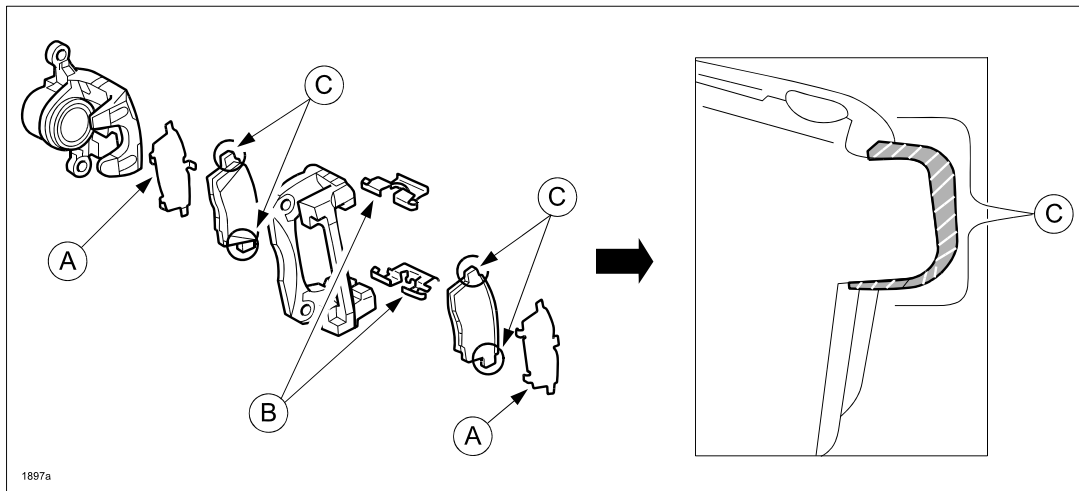
Customers having this concern should have their vehicle repaired using the following repair procedure.

REPAIR PROCEDURE

1. Verify customer concern.
2. Replace rear disc pads with modified ones. Refer to appropriate Workshop Manual procedure 04-11 DISC PAD (REAR) REPLACEMENT.

NOTE:

- The modified rear disc pad set comes with new brake pads, shims (A) and guide plates (B) to be installed.
- Prior to installing modified disc pads, lightly and evenly apply white grease to the disc pads in the locations shown (C).



CAUTION:

- Use care not to get any grease on the disc pad-to-rotor surface or rotor. If grease comes in contact with the disc pad-to-rotor surface or rotor, clean grease using brake parts cleaner.

3. Verify repair.

Bulletin No: 04-004/08 © 2008 Mazda Motor of America, Inc.	Last Issued: 3/14/2008
----------------------------------------------------------------------	-------------------------------

PART(S) INFORMATION

Part Number	Description	Qty.	Notes
L2Y8-26-43Z	Rear disc pad set	1	Includes: Disc pads, shims, guide plates

WARRANTY INFORMATION

NOTE:

- This warranty information applies only to verified customer complaints on vehicles eligible for warranty repair. Refer to the Warranty Wizard for warranty term information.
- Additional diagnostic time cannot be claimed for this repair.
- Coverage period is 12 months or 12,000 miles (whichever occurs first).

Warranty Type	A
Symptom Code	35
Damage Code	9E
Part Number Main Cause	L2Y8-26-43Z
Quantity	0
Operation Number / Labor Hours:	XXC64XRX / 0.5 Hrs